

Parallel Style Air Gripper (Standard) Compact Series (Without Auto Switch) Series *MHZA2-6/MHZAJ2-6*

How to Order

MHZA 2-6 D [] [] []

MHZAJ 2-6 D [] [] []

With dust cover

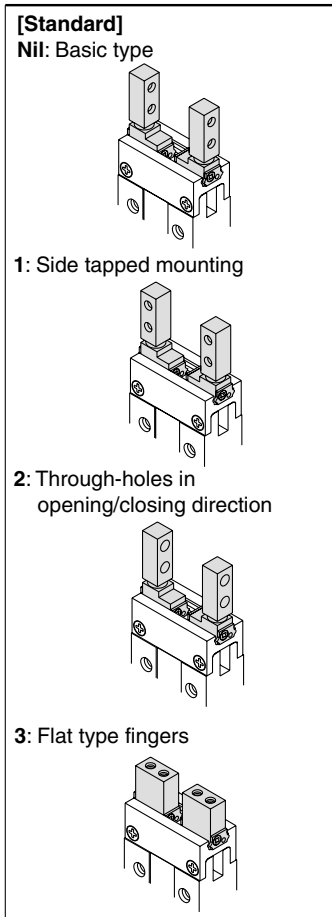
Number of fingers
2 2 fingers

Bore size
6 6 mm

Action

D	Double acting
S	Single acting (Normally open)
C	Single acting (Normally closed)

Finger option

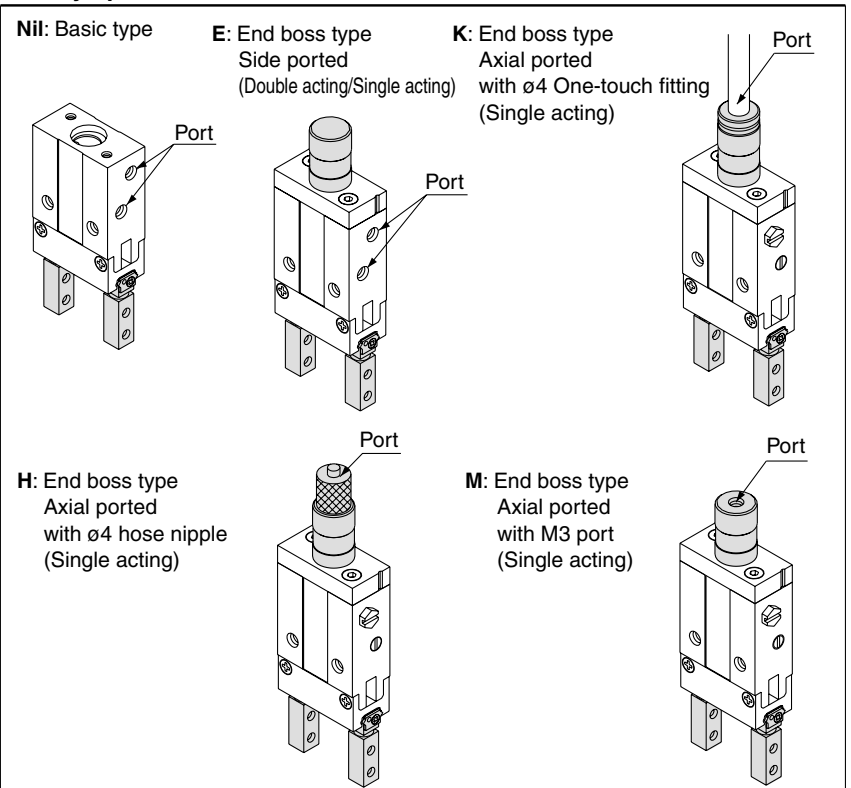


Made to Order
Refer to page 389 for details.

Dust cover type

Nil	Chloroprene rubber (CR)
F	Fluororubber (FKM)
S	Silicon rubber (Si)

Body option



Parallel Style Air Gripper/Compact Series *Series MHZA2-6/MHZAJ2-6*



Specifications

Operating pressure	Fluid		Air
	Single acting	Double acting	0.15 to 0.7 MPa
		Normally open	0.3 to 0.7 MPa
Normally closed			
Ambient and fluid temperature			-10 to 60°C
Repeatability			±0.01 mm
Max. operating frequency			180 c.p.m.
Lubrication			Not required
Action			Double acting/Single acting

* Use the gripper with dust cover when used in a place where there may be dust.

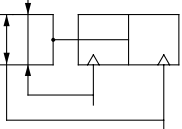
Model

Action	Model	Bore size (mm)	Gripping force ^{Note)}		Opening/Closing (Both sides) (mm)	Mass (g)
			Gripping force per finger Effective value (N)			
			External	Internal		
Double acting	MHZA2-6D	6	3.3	6.1	4	26
	MHZAJ2-6D	6				
Single acting	MHZA2-6S	6	1.9	—	4	26
	MHZAJ2-6S	6				
	MHZA2-6C	6	—	3.7	4	26
	MHZAJ2-6C	6				

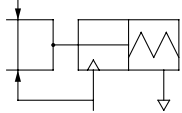
Note) Values based on pressure of 0.5 MPa, gripping point L = 20 mm, at center of stroke.

JIS Symbol

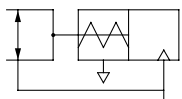
Double acting



Single acting type, Normally open



Single acting type, Normally closed



Option

● Body Option/End Boss Type

Symbol	Piping port location	Type of piping port	Applicable model	
		MHZA2-6/MHZAJ2-6	Double acting	Single acting
Nil	Basic type	M3 x 0.5	●	●
E	Side ported	M3 x 0.5	●	●
K	Axial ported	With ø4 One-touch fitting	—	●
H		With ø4 hose nipple	—	●
M		M3 x 0.5	—	●



Made to Order

(Refer to pages 683 to 713 for details.)

Symbol	Specifications/Description
-X4	Heat resistance (100°C)
-X5	Fluororubber seal
-X12	Opening direction spring assist
-X53	EPDM seal/Fluorine grease
-X56	Axial ported type
-X63	Fluorine grease
-X64	Finger: Side tapped mounting
-X65	Finger: Through-hole mounting
-X77A	Dust cover adhesion
-X77B	Dust cover adhesion (Finger part only)
-X78A	Dust cover caulking
-X78B	Dust cover caulking (Finger part only)
-X79	Grease for food

MHZ

MHF

MHL

MHR

MHK

MHS

MHC

MHT

MHY

MHW

-X□

MRHQ

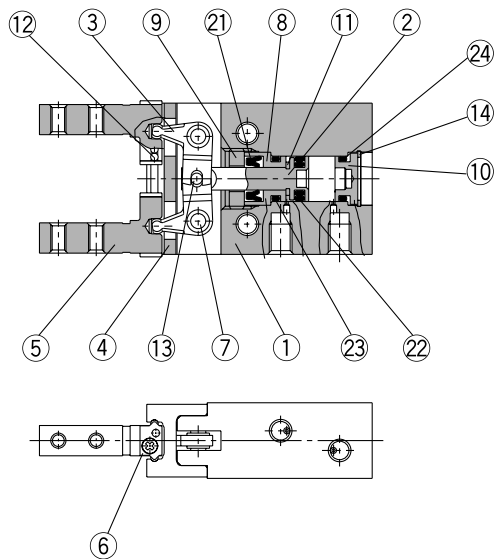
MA

D-□

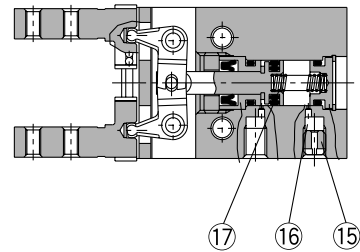
Series MHZA2-6/MHZAJ2-6

Construction: Standard Type MHZA2-6

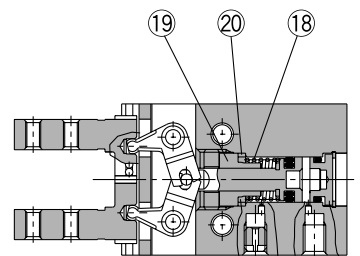
Double acting/With fingers open



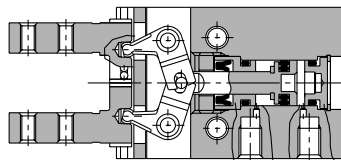
Single acting/Normally open



Single acting/Normally closed



Double acting/With fingers closed



Component Parts

No.	Description	Material	Note
1	Body	Aluminum alloy	Hard anodized
2	Piston	Stainless steel	
3	Lever	Stainless steel	Heat treated
4	Guide	Stainless steel	Heat treated
5	Finger	Stainless steel	Heat treated
6	Roller stopper	Stainless steel	
7	Lever shaft	Stainless steel	Nitriding
8	Holder	Brass	Electroless nickel plated
9	Holder lock	Stainless steel	
10	Cap	Aluminum alloy	Clear anodized
11	Bumper	Urethane rubber	
12	Steel balls	High carbon chrome bearing steel	
13	Needle roller	High carbon chrome bearing steel	

Component Parts

No.	Description	Material	Note
14	Type C retaining ring	Carbon steel	Nickel plated
15	Exhaust plug	Brass	Electroless nickel plated
16	Exhaust filter	Polyvinyl formal	
17	N.O. spring	Stainless steel spring wire	
18	N.C. spring	Stainless steel spring wire	
19	N.C. holder	Brass	Electroless nickel plated
20	N.C. spacer	Stainless steel	
21	Rod seal	NBR	
22	Piston seal	NBR	
23	Gasket	NBR	
24	Gasket	NBR	

Replacement Parts

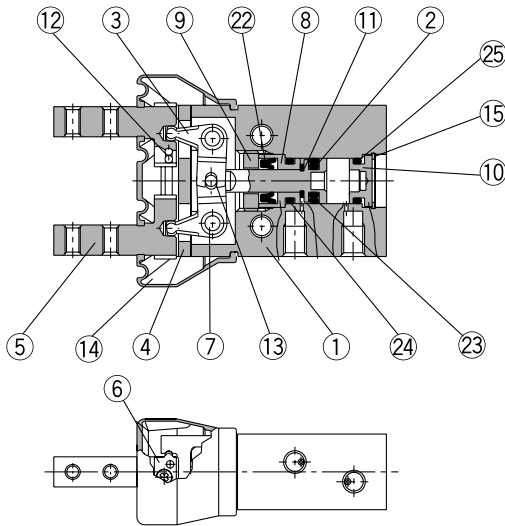
Description	MHZA2-6□	Main parts
Finger assembly	Please contact SMC to replace the seal kit and finger assembly.	
Piston assembly	MHZA2-6D□	MHZA-A0603 (2, 8, 9, 11, 13, 21, 22, 23)
	MHZA2-6S□	
	MHZA2-6C□	MHZA-A0603C (2, 9, 11, 13, 18, 19, 20, 22)
End boss assembly	MHZA2-6□□H	MHZA-A0607
	MHZA2-6□□K	MHZA-A0608
	MHZA2-6□□M	MHZA-A0609
	MHZA2-6□□E	MHZA-A0610
Main body of adaptor Mounting screw for adaptor Seal		

* The end boss assembly other than type E should be mounted on the special body.

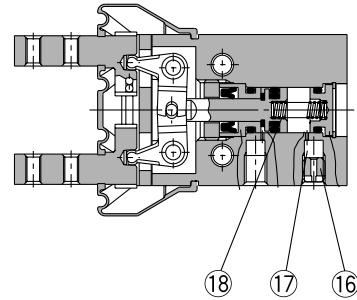
Replacement part/Grease pack part no.: GR-S-005 (5 g)

Construction: With Dust Cover MHZAJ2-6

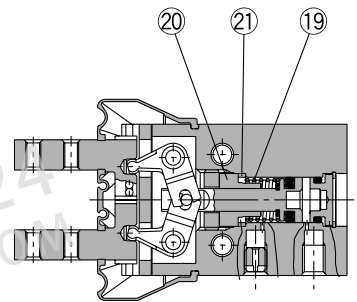
Double acting/With fingers open



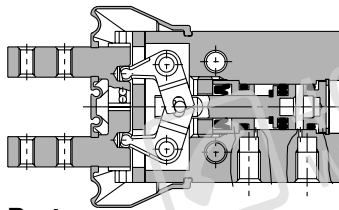
Single acting/Normally open



Single acting/Normally closed



Double acting/With fingers closed



Component Parts

No.	Description	Material	Note
1	Body	Aluminum alloy	Hard anodized
2	Piston	Stainless steel	
3	Lever	Stainless steel	Heat treated
4	Guide	Stainless steel	Heat treated
5	Finger	Stainless steel	Heat treated
6	Roller stopper	Stainless steel	
7	Lever shaft	Stainless steel	Nitriding
8	Holder	Brass	Electroless nickel plated
9	Holder lock	Stainless steel	
10	Cap	Aluminum alloy	Clear anodized
11	Bumper	Urethane rubber	
12	Steel balls	High carbon chrome bearing steel	
13	Needle roller	High carbon chrome bearing steel	

Component Parts

No.	Description	Material	Note
14	Dust cover	CR	Chloroprene rubber
		FKM	Fluororubber
		Si	Silicon rubber
15	Type C retaining ring	Carbon steel	Nickel plated
16	Exhaust plug	Brass	Electroless nickel plated
17	Exhaust filter	Polyvinyl formal	
18	N.O. spring	Stainless steel spring wire	
19	N.C. spring	Stainless steel spring wire	
20	N.C. holder	Brass	Electroless nickel plated
21	N.C. spacer	Stainless steel	
22	Rod seal	NBR	
23	Piston seal	NBR	
24	Gasket	NBR	
25	Gasket	NBR	

Replacement Parts

Description		MHZAJ2-6	Main parts
Seal kit		Please contact SMC to replace the seal kit.	
Dust cover	Material	MHZAJ2-J6	⑭
		MHZAJ2-J6F	
		MHZAJ2-J6S	
Finger assembly		Please contact SMC to replace the finger assembly.	
Piston assembly	MHZAJ2-6D□	MHZAJ-A0603	②⑧⑨⑪⑬⑲⑳㉑㉒
	MHZAJ2-6S□		
	MHZAJ2-6C□	MHZAJ-A0603C	②⑨⑪⑬⑲⑳㉑㉒
End boss assembly	MHZA2-6□□H	MHZA-A0607	Main body of adaptor Mounting screw for adaptor Seal
	MHZA2-6□□K	MHZA-A0608	
	MHZA2-6□□M	MHZA-A0609	
	MHZA2-6□□E	MHZA-A0610	

* End boss type

H = With hose nipple, K = With One-touch fitting, M = With M3 port, E = Side ported

* The end boss assembly other than type E should be mounted on the special body.

Replacement part/Grease pack part no.: GR-S-005 (5 g)

全国销售电话: 4008-824-824

更多资料详情: WWW.SANPUM.COM

MHZ

MHF

MHL

MHR

MHK

MHS

MHC

MHT

MHY

MHW

-X□

MRHQ

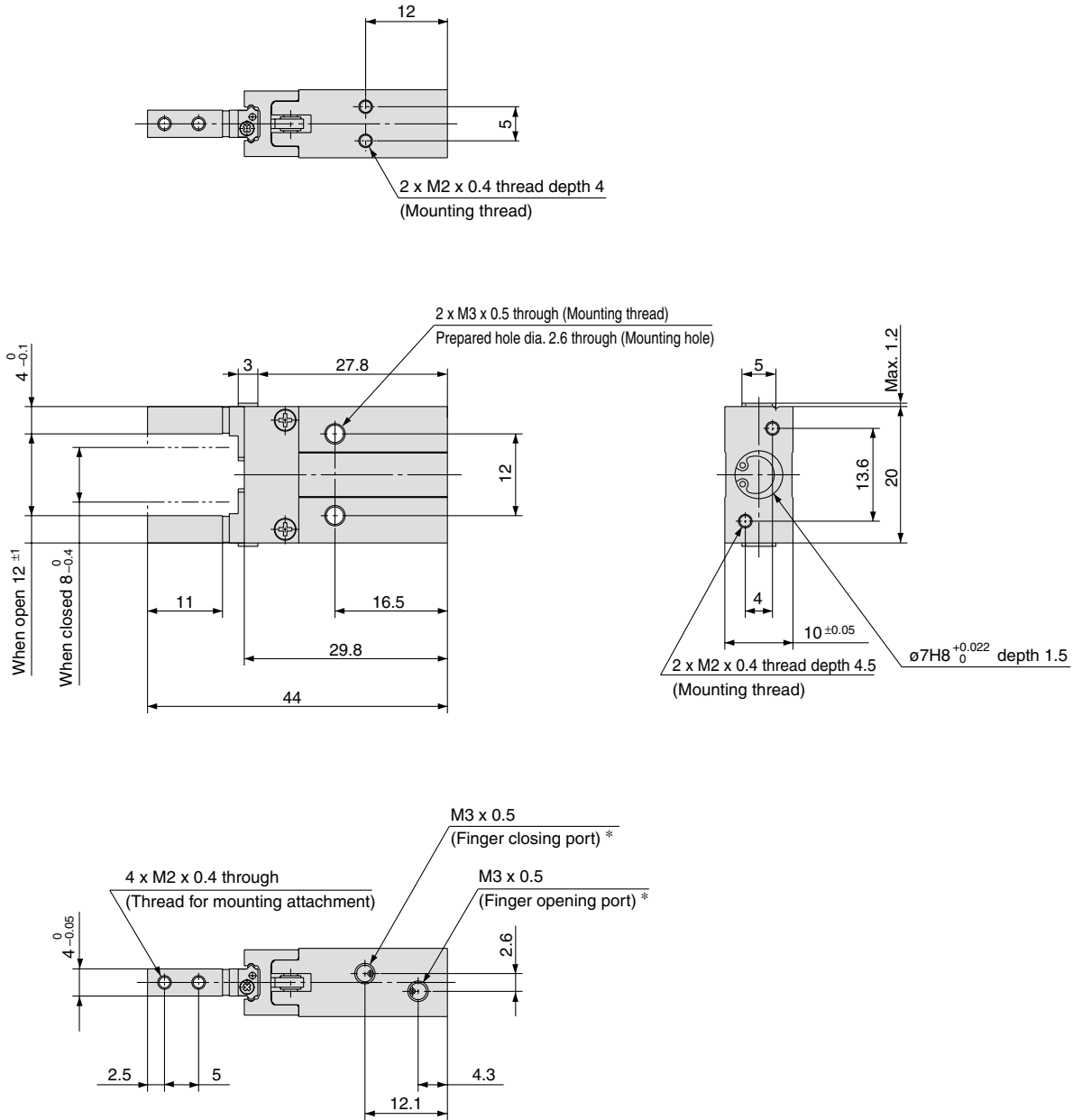
MA

D-□

Series MHZA2-6/MHZAJ2-6

Construction: Standard Type

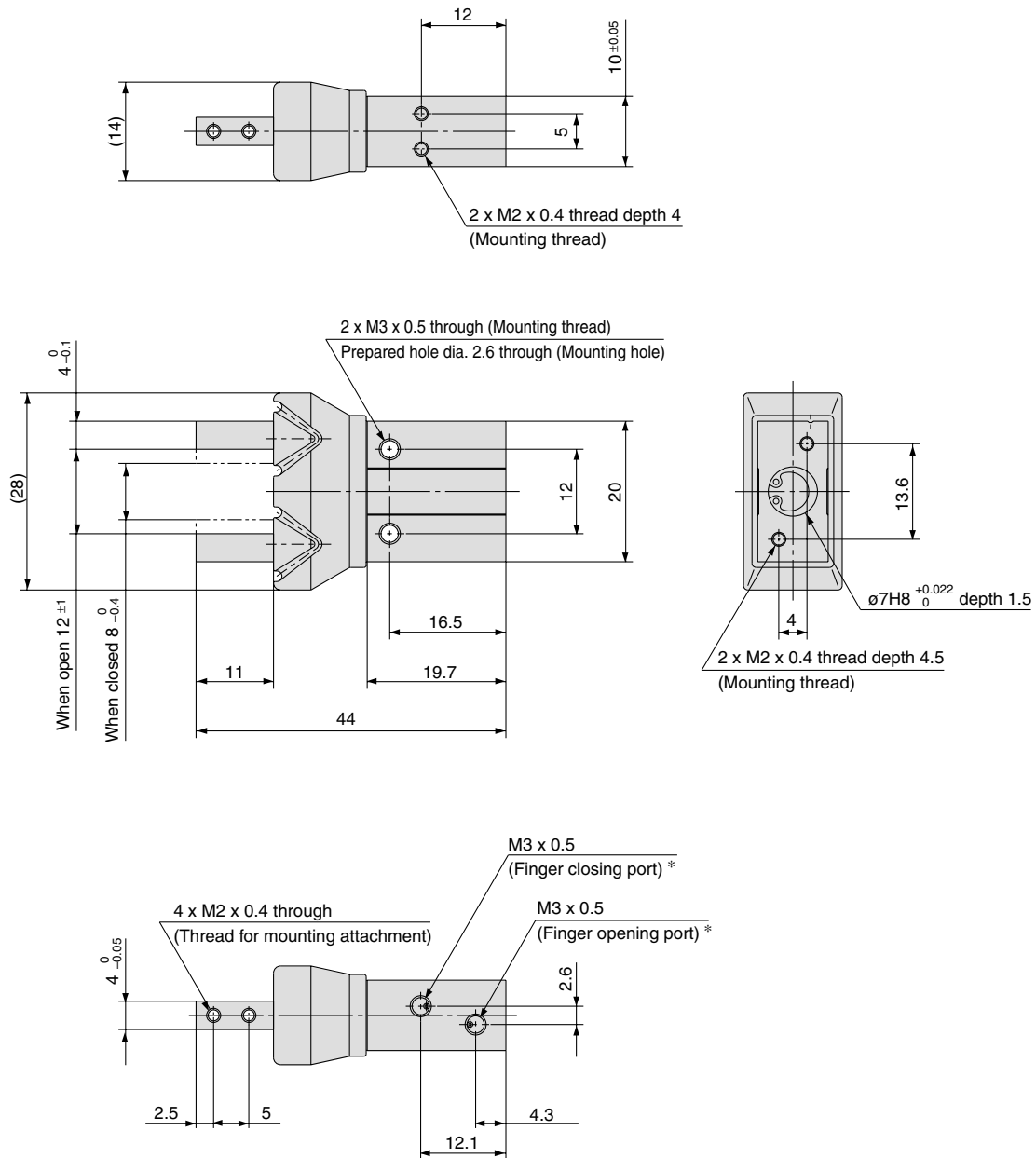
MHZA2-6□ Double acting/Single acting
Basic type



* For single action, the port on one side is a breathing hole.

Dimensions: With Dust Cover

**MHZAJ2-6 □ Double acting/Single acting
Basic type**



* For single action, the port on one side is a breathing hole.

MHZ

MHF

MHL

MHR

MHK

MHS

MHC

MHT

MHY

MHW

-X □

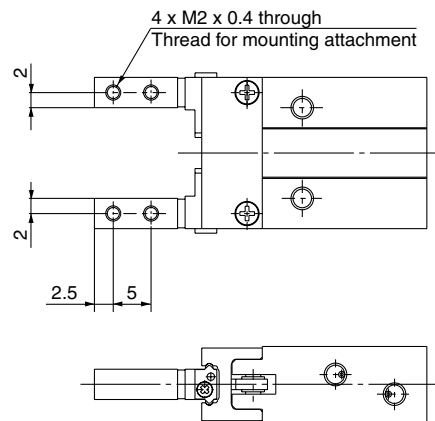
MRHQ

MA

D- □

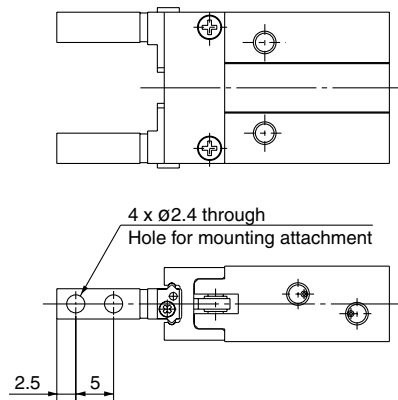
Series MHZA2-6 Finger Option

Side Tapped Mounting [1]



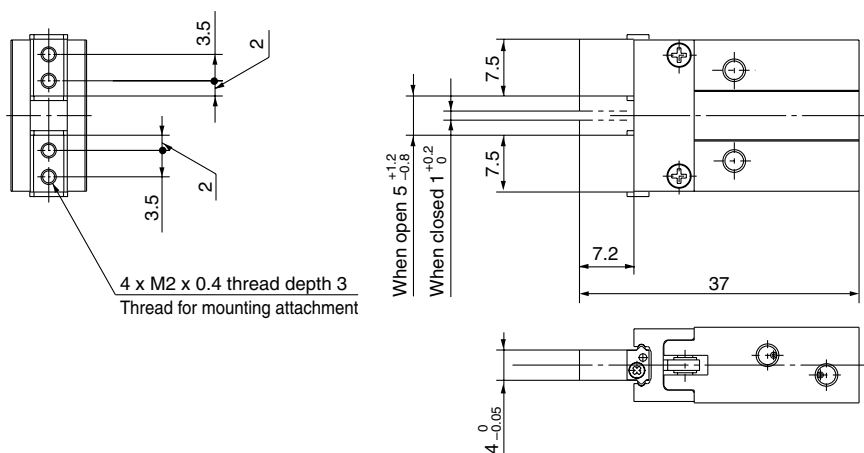
* Specifications and dimensions other than the above are the same as the basic type.

Through-holes in Opening/Closing Direction [2]



* Specifications and dimensions other than the above are the same as the basic type.

Flat Type Fingers [3]



Mass: 25 g

* Specifications and dimensions other than the above are the same as the basic type.

Series MHZA2-6/MHZAJ2-6

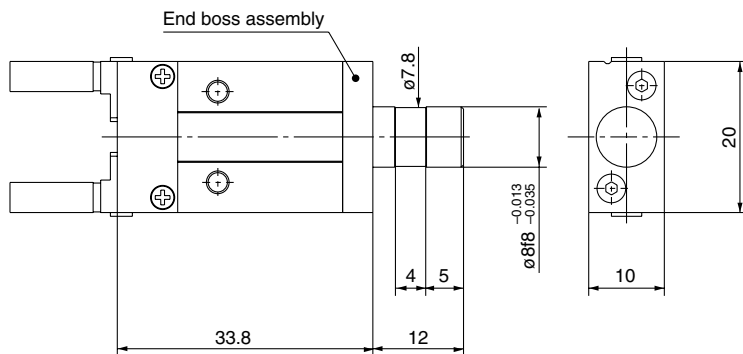
Body Option: End Boss Type

Applicable Model

Symbol	Piping port location	Type of piping port		Applicable model	
		MHZA2	MHZAJ2	Double acting	Single acting
E	Side ported	M3 x 0.5		●	●
H	Axial ported	With ø4 hose nipple		—	●
K		With ø4 One-touch fitting		—	●
M		M3 x 0.5		—	●

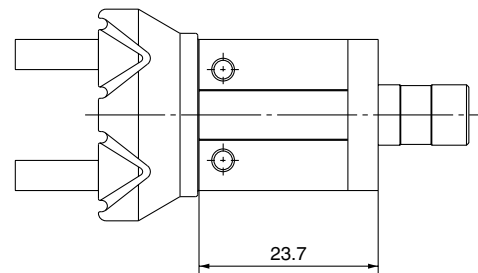
Side Ported [E]

MHZA2-6□□E



* Specifications and dimensions other than the above are the same as the basic type.

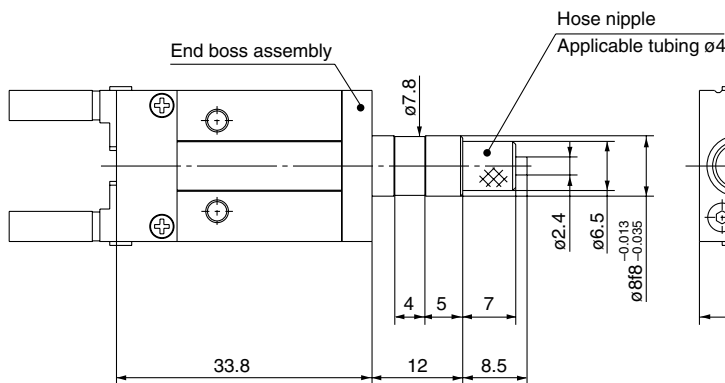
MHZAJ2-6□□E□



* Specifications and dimensions other than the above are the same as the basic type or the end boss dimensions of the MHZA type.

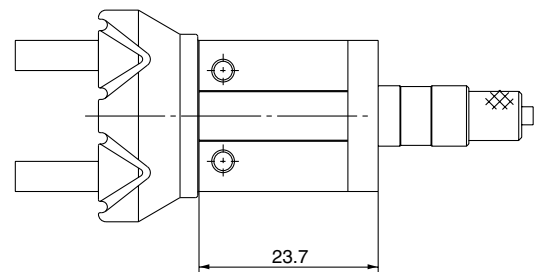
Axial Ported (with hose nipple) [H]

MHZA2-6^S_C□H



* Specifications and dimensions other than the above are the same as the basic type.

MHZAJ2-6^S_CH□



* Specifications and dimensions other than the above are the same as the basic type or the end boss dimensions of the MHZA type.

Applicable Tubing

Description/Model	Nylon tubing	Soft nylon tubing	Polyurethane tubing	Polyurethane coil tubing
	T0425	TS0425	TU0425	TCU0425B-1
Outside diameter (mm)	4	4	4	4
Max. operating pressure (MPa)	1.0	0.8	0.5	0.5
Min. bending radius (mm)	13	12	10	—
Operating temperature (°C)	-20 to 60	-20 to 60	-20 to 60	-20 to 60
Material	Nylon 12	Nylon 12	Polyurethane	Polyurethane

Refer to "Best Pneumatics No. 6" regarding One-touch fittings and tubing.

MHZ

MHF

MHL

MHR

MHK

MHS

MHC

MHT

MHY

MHW

-X□

MRHQ

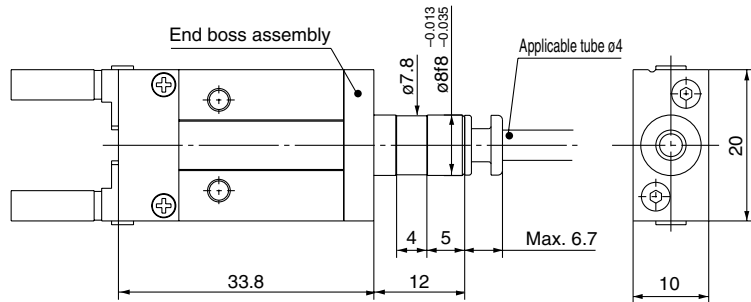
MA

D-□

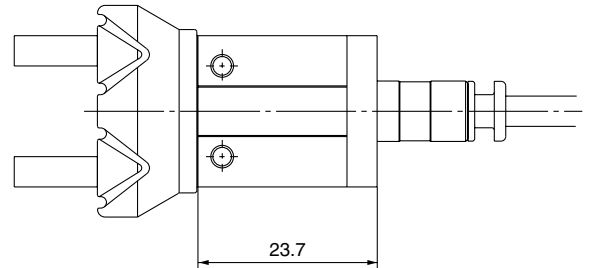
Series MHZA2-6/MHZAJ2-6

Axial Ported (with One-touch fitting) [K]

MHZA2-6^S□K



MHZAJ2-6^S□K



* Specifications and dimensions other than the above are the same as the basic type.

* Specifications and dimensions other than the above are the same as the basic type or the end boss dimensions of the MHZA type.

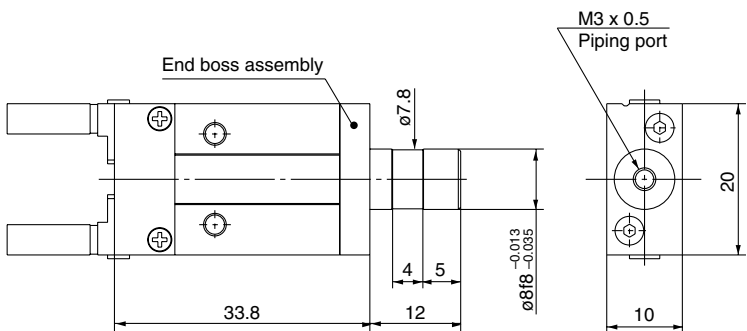
Applicable Tubing

Description/Model	Nylon tubing	Soft nylon tubing	Polyurethane tubing	Polyurethane coil tubing
	T0425	TS0425	TU0425	TCU0425E-1
Outside diameter (mm)	4	4	4	4
Max. operating pressure (MPa)	1.0	0.3	0.5	0.5
Min. bending radius (mm)	13	12	10	—
Operating temperature (°C)	-20 to 60	-20 to 60	-20 to 60	-20 to 60
Material	Nylon 12	Nylon 12	Polyurethane	Polyurethane

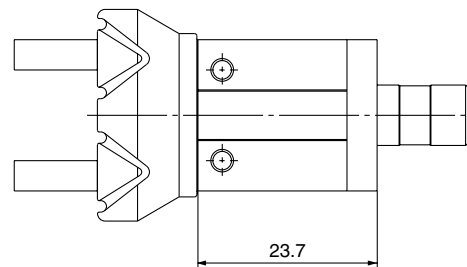
Refer to "Best Pneumatics No. 6" regarding One-touch fittings and tubing.

Axial Ported (with M3 port) [M]

MHZA2-6^S□M



MHZAJ2-6^S□M



* Specifications and dimensions other than the above are the same as the basic type.

* Specifications and dimensions other than the above are the same as the basic type or the end boss dimensions of the MHZA type.

Mass

Model	End boss type (Symbol)			
	E	H	K	M
MHZA2-6□□	28	28	28	28
MHZAJ2-6□□	29	29	29	29

(g)