

## Rocker Switch RC Series



### SPECIFICATION

- Electrical Rating : 2A 250VAC/125VAC, 6A 250VAC/10A125VAC (UL) 10A 250VAC/15A 125VAC(UL) 10(4)A 250 VAC (VDE)
- Mechanical life: Over 30000 cycles
- Electrical life: Over 10000 cycles
- Contact resistance: <math><20\text{m}\Omega</math>
- Insulation resistance: >1000M $\Omega$
- High voltage resistance: >1500VAC 1 min.
- Ambient temperature: Terminal side -20 to +85 $^{\circ}\text{C}$  Actuating side- 20 to +55 $^{\circ}\text{C}$
- Atmospheric humidity: Max.85%
- Actuating force: 3 to 6N(depends on different switch function)
- Flammability: UL94V-2 & UL94V-0
- Storage temperature: -30 to +80 $^{\circ}\text{C}$  Max
- Temperature rise at the terminal: 30 $^{\circ}\text{C}$  (UL1054)
- Solder ability of terminal: Max 350 $^{\circ}\text{C}$  3s

### MATERIALS

- Housing: PA 66
- Rocker: PA 66 & PC
- Contacts: Silver alloy
- Terminal: Copper or brass silver plated
- Spring: SWC
- Movable arm: Copper silver plated
- Lamp: Neon lamp, Tungsten lamp, LED
- Bracket: PA66

### HOW TO ORDER

#### ORDERING PROCEDURE ( PART I ): NON-ILLUMINATED

RC 1 5 K K E T 0 0 B

SERIES SWITCH FUNCTION RATING HOUSING COLOR ACTUATOR COLOR MARKING TERMINAL LAMP VOLTAGE SHAPE OF WINDOW SAFETY APPROVAL

1	ON-OFF
2	ON-ON
3	ON-OFF-ON

K (BLACK)	<input type="checkbox"/>	<input type="checkbox"/>
W (WHITE)	<input type="checkbox"/>	<input type="checkbox"/>
G (GRAY)	<input type="checkbox"/>	<input type="checkbox"/>
O (ORANGE)	<input type="checkbox"/>	<input type="checkbox"/>
R (RED)	<input type="checkbox"/>	<input type="checkbox"/>
N (GREEN)	<input type="checkbox"/>	<input type="checkbox"/>
Y (YELLOW)	<input type="checkbox"/>	<input type="checkbox"/>
B (BLUE)	<input type="checkbox"/>	<input type="checkbox"/>
V (VIOLET)	<input type="checkbox"/>	<input type="checkbox"/>

AVAILABLE

SEE OPTION OF MARKING

0 NO WINDOW

B UL,VDE

0 NO LAMP

T QUICK CONNECT TERMINAL, 4.8mm WIDE, 0.8mm THICK

2	6A 250VAC
	10A 250VAC
5	15A 125VAC
	10(4)A 250VAC

# Rocker Switch RC Series



## HOW TO ORDER

### ORDERING PROCEDURE ( PART II ): ILLUMINATED

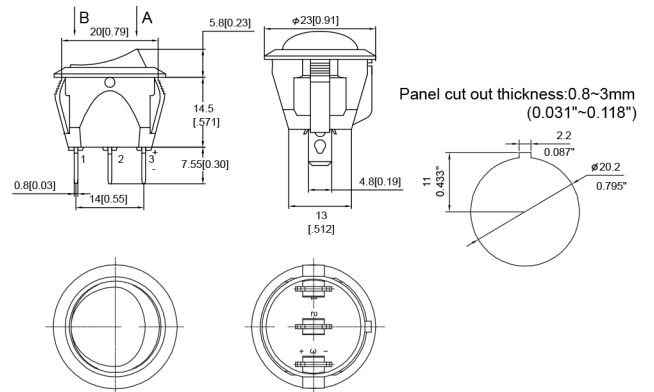
RC 9 5 K K D E T 1 L N B

SERIES	SWITCH FUNCTION	RATING	HOUSING COLOR	ACTUATOR COLOR	COLOR OF WINDOW	MARKING	TERMINAL	LAMP VOLTAGE	SHAPE OF WINDOW	COLOR OF LAMP	SAFETY APPROVAL
9	ON-OFF (LIGHTED)		K (BLACK)	○	○	SEE OPTION OF MARKING	L	ELLIPSE (FOR LED LAMP)			
2	6A 250VAC		W (WHITE)	○	○		C	ROUND (FOR NEON OR TUNGSTEN LAMP)			
5	10A 250VAC		G (GRAY)	○	○		E	NO WINDOW (FOR NEON OR TUNGSTEN LAMP)			
	15A 125VAC		O (ORANGE)		○						
	10(4)A 250VAC		R (RED)		○						
			N (GREEN)		○						
			Y (YELLOW)		○						
			B (BLUE)		○						
			V (VIOLET)		○						
			D (RED) illu.		○						
			M (GREEN) illu.		○						
			Y (YELLOW) illu.		○						
			F (BLUE) illu.		○						
			○ AVAILABLE								
			E (NO WINDOW)								
			D (RED) illu.								
			M (GREEN) illu.								
			Y (YELLOW) illu.								
			F (BLUE) illu.								
			T (TRANSPARENT) illu.								
							1	NEON LAMP (125VAC)			
							2	NEON LAMP (250VAC)			
							3	12VDC TUNGSTEN LAMP			
							4	24VDC TUNGSTEN LAMP			
							L	LED			
							T	QUICK CONNECT TERMINAL, 4.8mm WIDE, 0.8mm THICK			
											B
											UL, VDE

## Option of switch function

Item No	POLES & THROWS	Rocker position ( ): Momentary		
		Left	Center	Right
RC1	SPST	ON	None	OFF
RC2	SPDT	ON	None	ON
RC3	SPDT	ON	OFF	ON
RC9	SPST (With LED)	ON	None	OFF

## Dimension & Panel cut out



## Lamp Circuit

